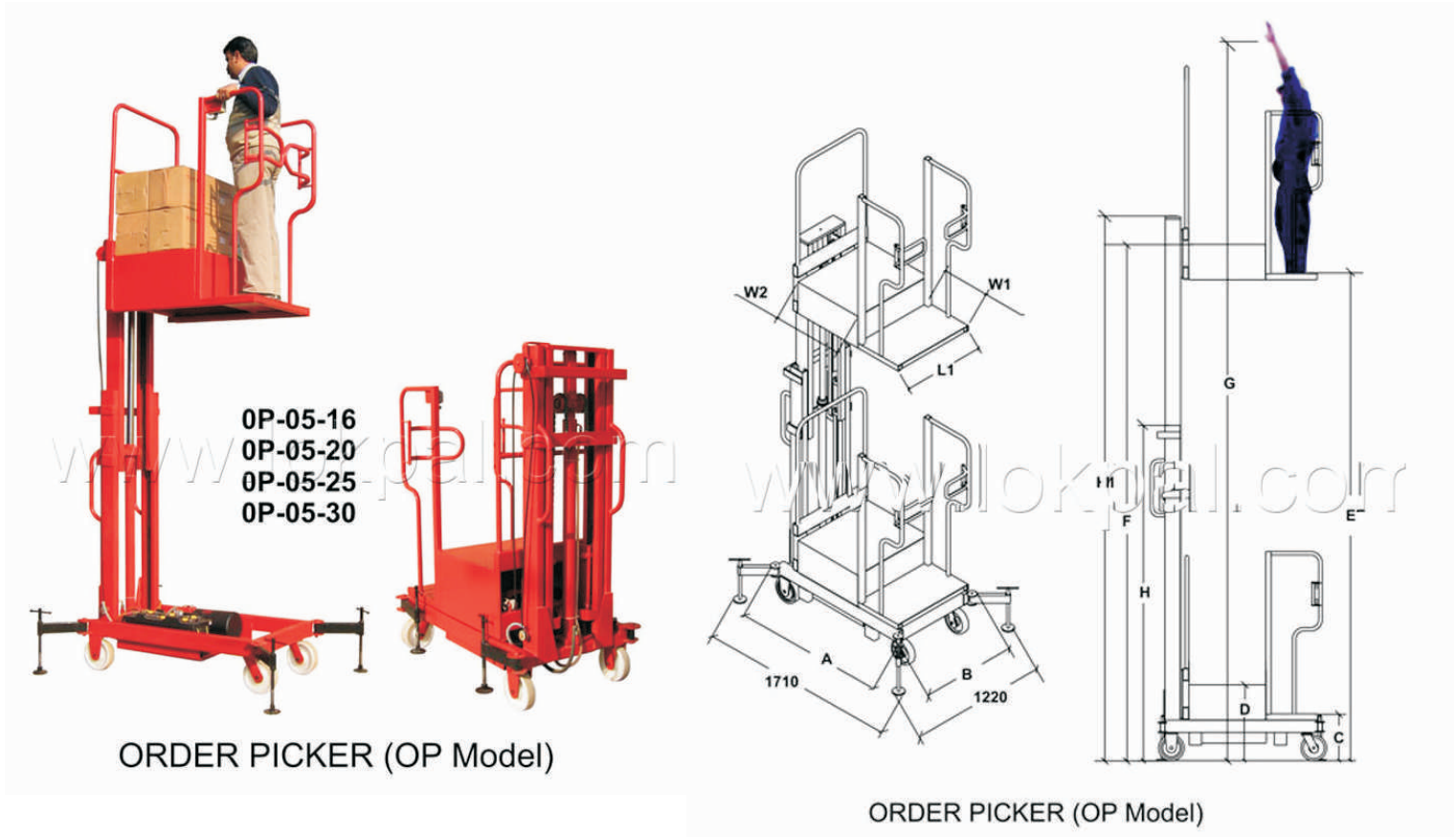


ORDER PICKER OP+TT LIFT



ORDER PICKER (OP Model)

ORDER PICKER (OP Model)

Features

- Useful in storage area.
- Can pass through narrow aisle.
- Available in variable heights.

Specifications:

Model	Cap. Kg	Platform Height		Worktable Height		Mast Height		Overall Length (A)	Overall Width (B)	Platform Size (L1xW1)	Worktable Size (L1xW1)	Working Height (G)
		Min. (C)	Max. (E)	Min. (D)	Max. (F)	Min. (H)	Max. (H1)					
		mm	mm	mm	mm	mm	mm					
OP-05-16	500	325	1800	600	2100	2265	2265	1335	920	700x400	700x600	3500
OP-05-20	500	325	2200	600	2500	1765	2735	1335	920	700x400	700x600	3900
OP-05-25	500	325	2700	600	3000	2015	3035	1335	920	700x400	700x600	4400
OP-05-30	500	325	3200	600	3500	2265	3775	1335	920	700x400	700x600	4900
QLC4.5M	200	220	4280	440	4500	2100	6100			600x640	600x1170	5980

LOKPAL INDUSTRIES

A-6, Sector-3, Noida-201301, U.P., India | Tel.: +91-120-3065372 / 75
Website: www.lokpal.com | E-mail: info@lokpal.com